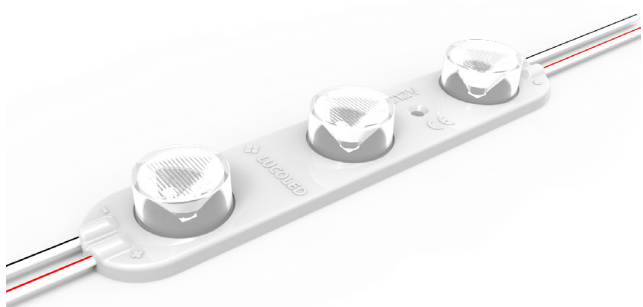




## LUCOLED EL31



- *5 years warranty*
- *First 2 years extended warranty*
- *Lucolense narrow beam technology*
- *High efficacy*
- *Constant Current Technology*
- *Narrow white binning*

**Lucoled Edge Lighting EL31 modules** offer a high quality and efficient solution for single-sided lightboxes with a depth of 50-100 mm and double-sided lightboxes with a depth of 100-150 mm, max. 1000 mm wide.

Lucoled EL31 uses patented light reflection technology to evenly illuminate single and double-sided medium size light boxes and signs. The licensed technology is based on the face being illuminated by over 70% indirect, internally reflecting, light transmitted by narrow beam flare lenses. The modules are mounted on the sides of the box, directing a beam of light at the opposite side. The reflecting light evenly illuminates the face.

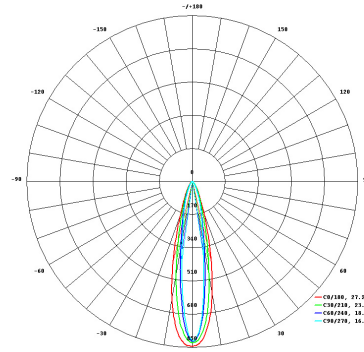
EL31 is ideal for medium size rectangular shaped signs. The individual modules are normally positioned on opposite sides on the longest side of the sign.

## SPECIFICATIONS

- Dimensions 120x23x11mm
- Warranty 5 years (first 2 years extended)
- Beam angle: 18° \* 25°
- Can be cut between every unit
- UL, CE and RoHS compliant
- Narrow white binning
- Constant Current Technology
- Operating temperature -25~+60C

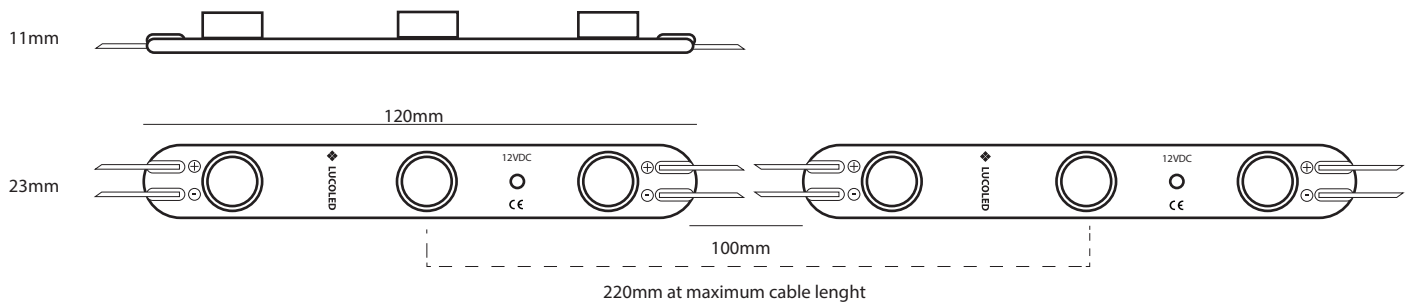


## LUMINOUS INTENSITY DISTRIBUTION



Item no	LED colour	CT (K)	CRI	Power (W/mod)	Flux (lm/mod)	Efficacy (lm/W)	Voltage (DC)	Modules per chain	Models per carton
EL31-W40	white	4000							
EL31-W65	white	6500	>70	2.88	327	114	12	20	480

## DIMENSIONS

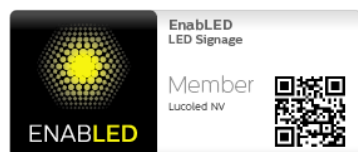


## POWER SUPPLY CAPACITY 12V SERIES

Item	PP1230	PP1260	PP12100	PP12150	PP12200
Power Output	30W	60W	100W	150W	200W
EL31 modules / power supply	9	18	31	46	62
Number of chains (maximum 20 modules per chain)	1	1	2	3	4

## PACKAGING

Item	Qty (pcs/bag)	Qty (bag / carton)	Total Qty (pcs / carton)	Total weight (kg)	Carton size (LxWxH) in mm
EL31	60	8	480	14,5	528 x 376 x 272



This product is licensed under the Signify (formerly Philips) EnabLED Signage program when bought as a kit including power supply. The final product in which this kit is used will be covered by this license and free from further royalties.